



**IMPORTANT:**

Please keep this User Manual & your Warranty Card safe for future reference. Follow the operation & maintenance guide-line/ recommendation as highlighted herewith.

Technical assistance / trouble-shooting through customer-care phone line is at our level best effort only. Any field service request will be charge-able if due to user mis-use. For further details, please refer Warranty Card (attached separately).

# User Manual

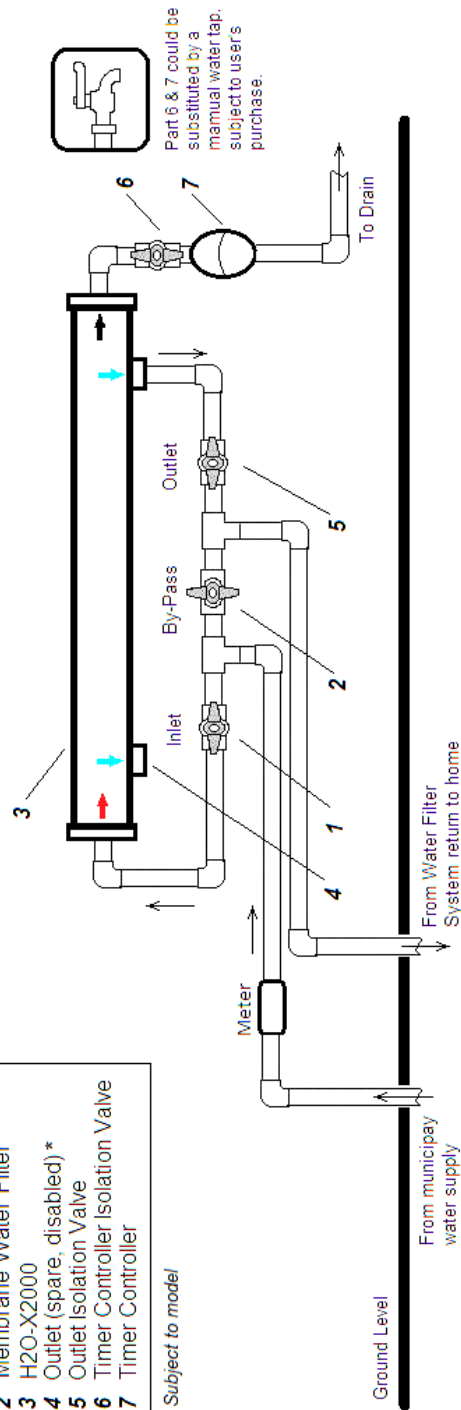
## Hydro One Outdoor POE Membrane Water Filter



**Hydro One Marketing Sdn. Bhd.** (648758-P)  
32, Jalan Bukit Rawang Putra 6,  
Taman Bukit Rawang Putra,  
48000 Rawang, Selangor Darul Ehsan, Malaysia.

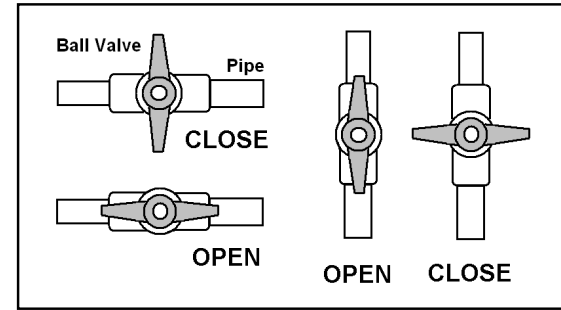
Tel : +603 - 6092 0120  
Fax : +603 - 6092 0305  
Email : [equiry@hydro1.com.my](mailto:equiry@hydro1.com.my)  
Website : [www.hydro1.com.my](http://www.hydro1.com.my)

- REMARK:**
- 1 Inlet Isolation Valve
  - 2 Membrane Water Filter
  - 3 H2O-X2000
  - 4 Outlet (spare, disabled)\*
  - 5 Outlet Isolation Valve
  - 6 Timer Controller Isolation Valve
  - 7 Timer Controller



\* Subject to model

### Piping Connection & Installation Reference Diagram



Ball Valve's handle position at Open/ Close condition.

Refer to Piping Connection & Installation Reference Diagram in previous page to identify the position of Ball Valve at Inlet (#1), Outlet (#5) & By Pass (#2) pipe.

#### Filter Mode

Inlet (#1) & Outlet (#5) Ball Valve should be opened for filtration operation. Bypass Valve (#2) should be closed all the time.

#### Forward Flushing Mode

Forward Flushing will be performed automatically by the battery operated Auto Timer Controller (#7) or manually by turning on the manual garden water tap.

#### By Pass Mode

To by-pass the water filter, mainly during maintenance/ service, open the By Pass Valve (#2) and close the Inlet (#1) & Outlet (#5) Ball Valve. This will isolate the filter and let direct water supply into house.

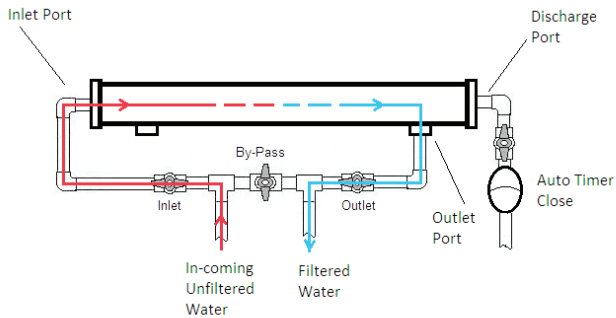
#### Back Flush Mode

Back Flush Mode is recommended to perform by user manually once a week to keep the filter performance always at optimum level. Close the Inlet Valve (#1) and open the Bypass Valve (#2). Turn on the Auto Timer Controller (#7) manually, or the manual garden water tap, to discharge flushing water until it runs clear. Resume the original position of the Inlet (#1) & Bypass (#2) valve once done. Repeat the procedures all over again for few times until the discharge water is clear. Make sure the Inlet (#1) & Bypass (#2) are restored to its original position as shown in diagram.

#### NOTE:

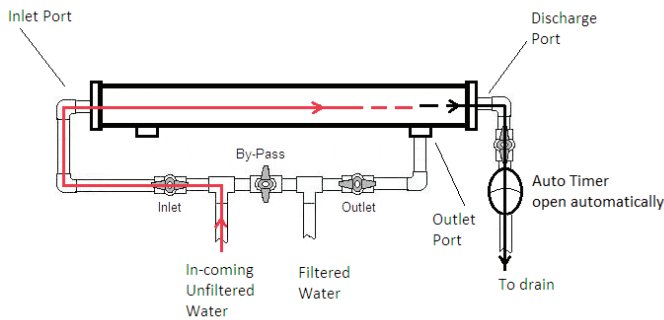
Chemical solution cleaning for the membrane system is recommended after 12~18 months of operation, however, necessity will be subjected to water supply quality of individual site.

## Water Flow of Membrane Water Filter Operation Mode



### FILTRATION MODE WATER FLOW

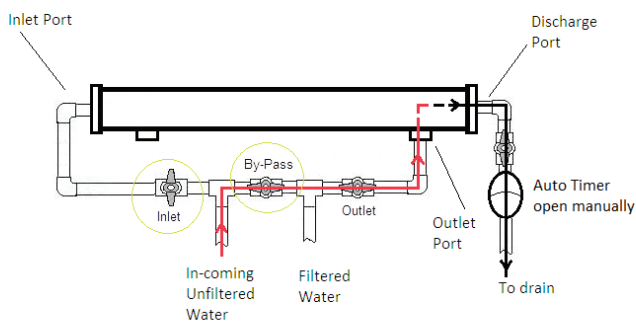
Water flow from Inlet piping into the water filter and filtered water will flow out via Outlet piping. Inlet & Outlet Ball Valves are open while ByPass Valve is closed. Auto Timer is shut close too.



### FORWARD FLUSH MODE (AUTO) WATER FLOW

Auto Timer will open automatically base on pre-set cycle basis. Once opened, with the hydro-pressure from Inlet water, all the filtered sediments will be flushed out and discharge via the Auto Timer to Drain pipe. Ball Valves position remain same as FILTRATION MODE.

FORWARD FLUSHING is automatically performed and recommended at least once on daily basis.



### BACKWARD FLUSH MODE (MANUAL) WATER FLOW

User has to close the Inlet Ball Valve manually and open the usually closed By-Pass Ball Valve. This will lead the incoming water flow into Outlet to reverse flushing flow. User will open the Auto Timer manually too. Once it is opened, the hydro-pressure of incoming water via Outlet will flush the filtered sediments out and discharge via the Auto Timer to Drain pipe.

Once it is done, Ball Valves position has to be switched to usual position as FILTRATION MODE.

BACKWARD FLUSHING is performed manually and recommended at least once in 2 weeks.